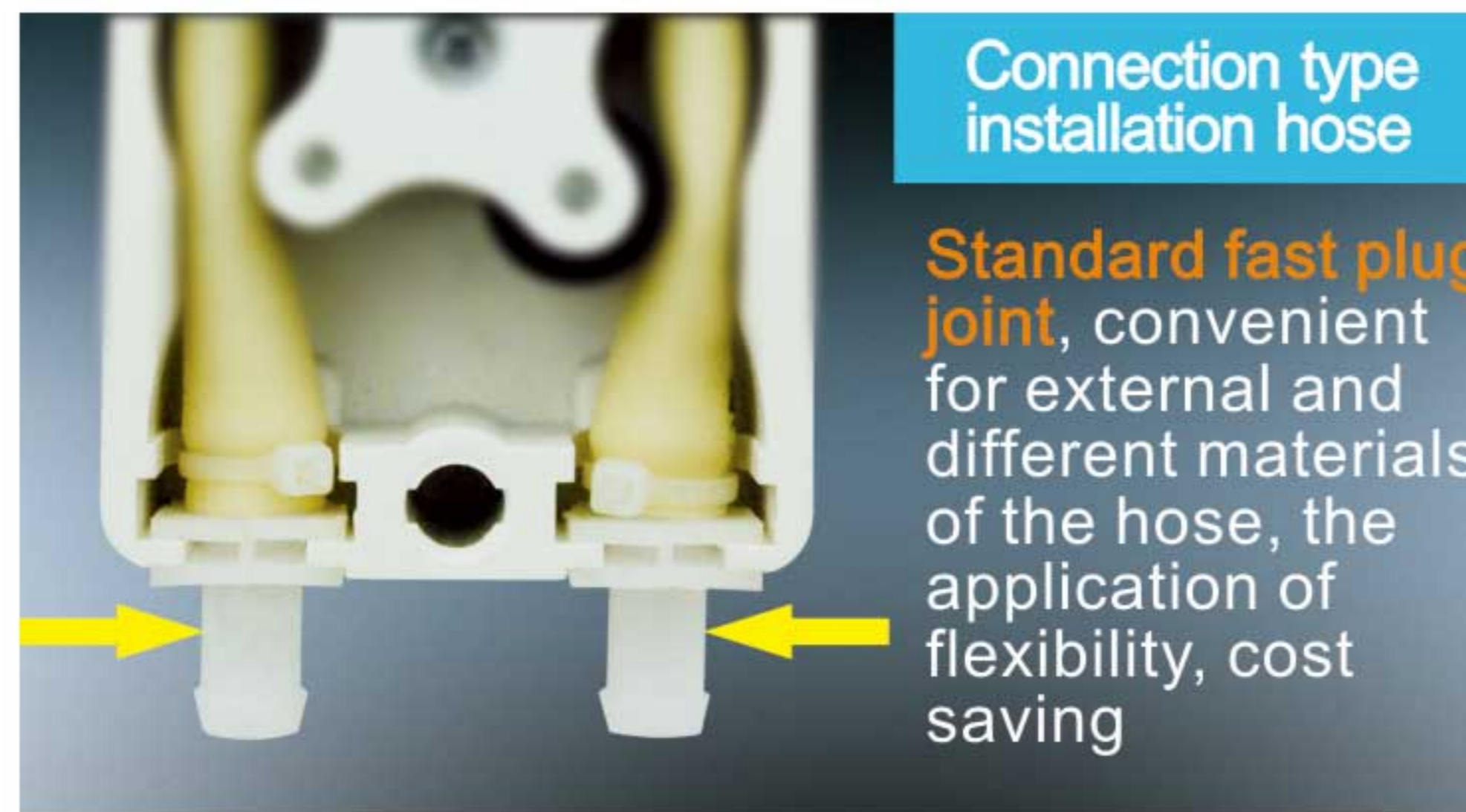


Compact Pump Head

UD15



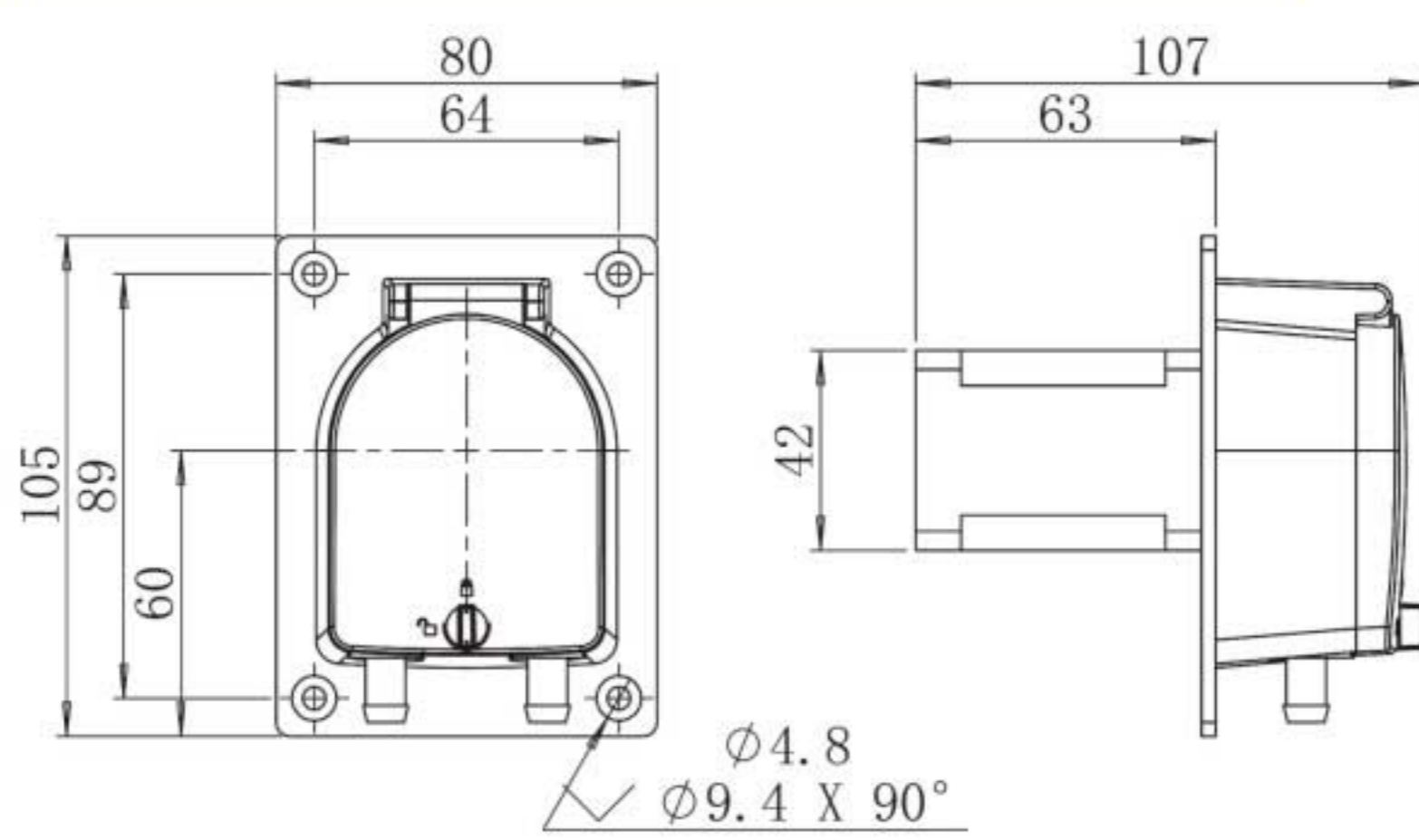
(2 rollers)



Connection type installation hose

Standard fast plug joint, convenient for external and different materials of the hose, the application of flexibility, cost saving

Dimension Drawing(Unit: mm)



Install hose without connector

1. Adopt special hygienic grade tube, The whole tube is installed.
2. No connection simplifies design to prevent leakage and pollution risk.

Product Introduction

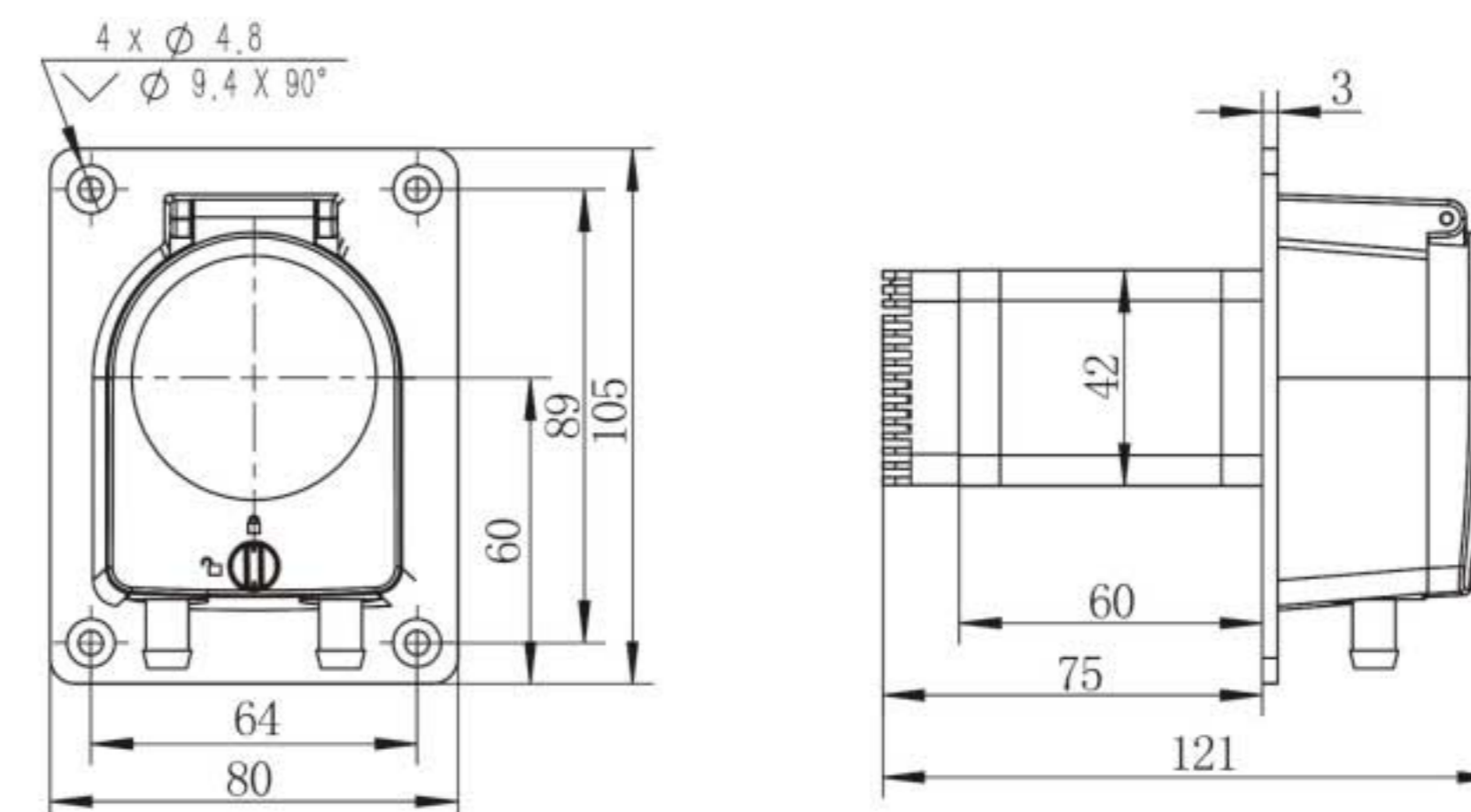
PES material, transparent protecting cover, easily to observe the working situation of pump head and tubing at any time. Various of colors are available. There is water-proof groove in the pump head mounting side. Can use stepper motor, DC motor, AC motor and so on to drive.

Model No.	OEM-UB01
Speed range	0.1-300 rpm
Flow rate range	0.08-930mL/min
Motor type	42 stepper motor
Motor phase number	2
Motor step angle	1.8°
Motor phase voltage	2.2V
Motor phase current	1.0A
Working environment	0-40°C, 80%RH

OEM-UB02, OEM-UB09/UB10, OEM-UB016



Dimension Drawing(Unit: mm)

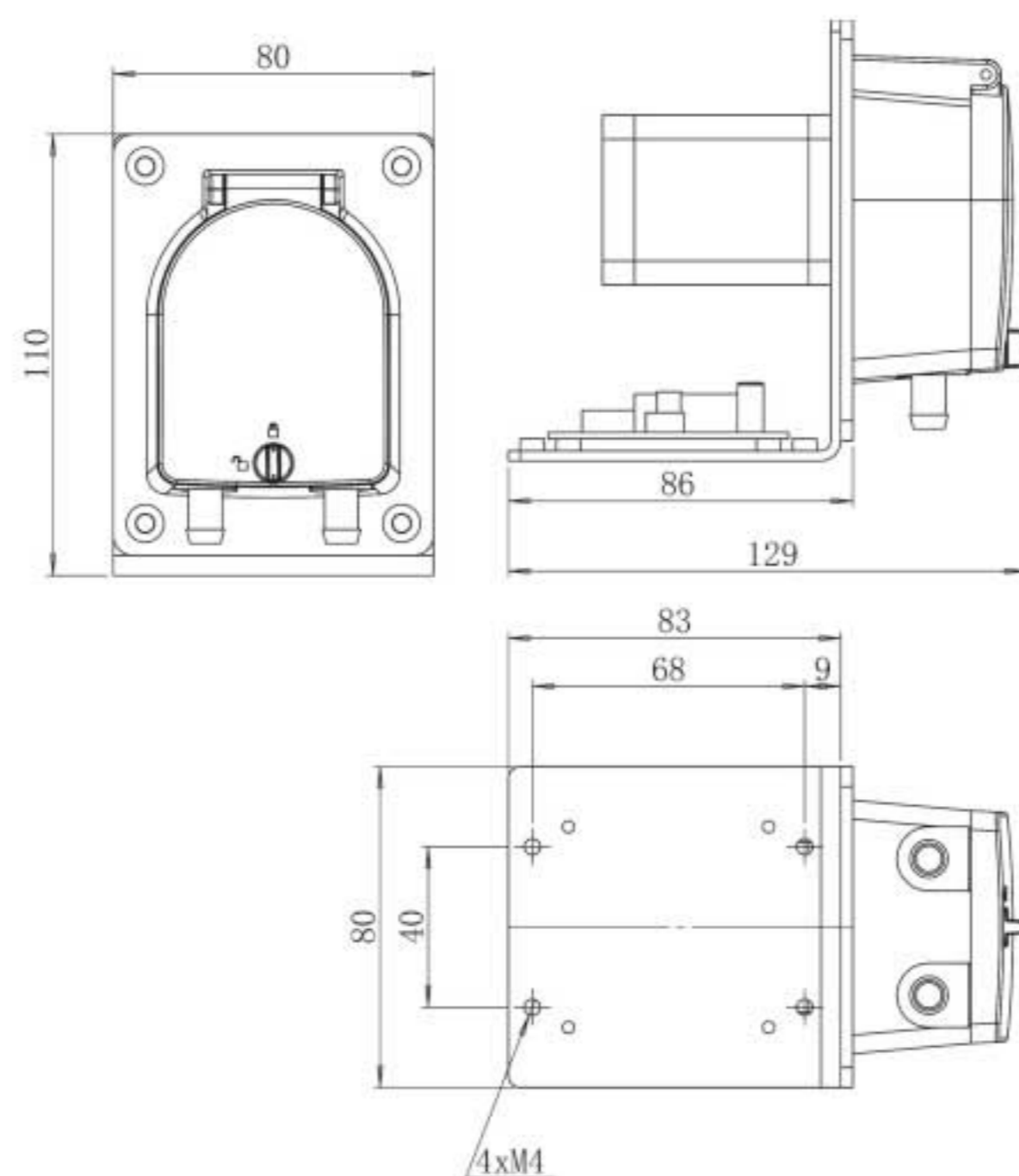


OEM-UB02 Technical Specifications		OEM-UB09/UB10 Technical Specifications		OEM-UB016 Technical Specifications	
Speed range	0.1-300 rpm	Speed range	0.1-300 rpm	Speed range	0.1-300 rpm
Flow rate range	0.0024-190mL/min	Flow rate range	0.0024-190mL/min	Flow rate range	0.0024-190mL/min
Speed control	Preset speed or serial port control	Speed control	External input pulse frequency speed control	Speed control	Adjust speed by internal potentiometer
Subdivision settings	1/16	Subdivision settings	1/16(recommend), 1, 1/2, 1/4, 1/8, 1/32, 1/64, 1/128	Subdivision settings	1/16
Motor type	42 stepper motor	Motor type	42 stepper motor	Motor type	42 stepper motor
Power supply	DC 24V, ≥48W	Power supply	DC 24V, ≥48W	Power supply	DC 24V, ≥48W
Working environment	0-40°C, 80%RH	Working environment	0-40°C, 80%RH	Working environment	0-40°C, 80%RH

OEM-UB04



Dimension Drawing(Unit: mm)

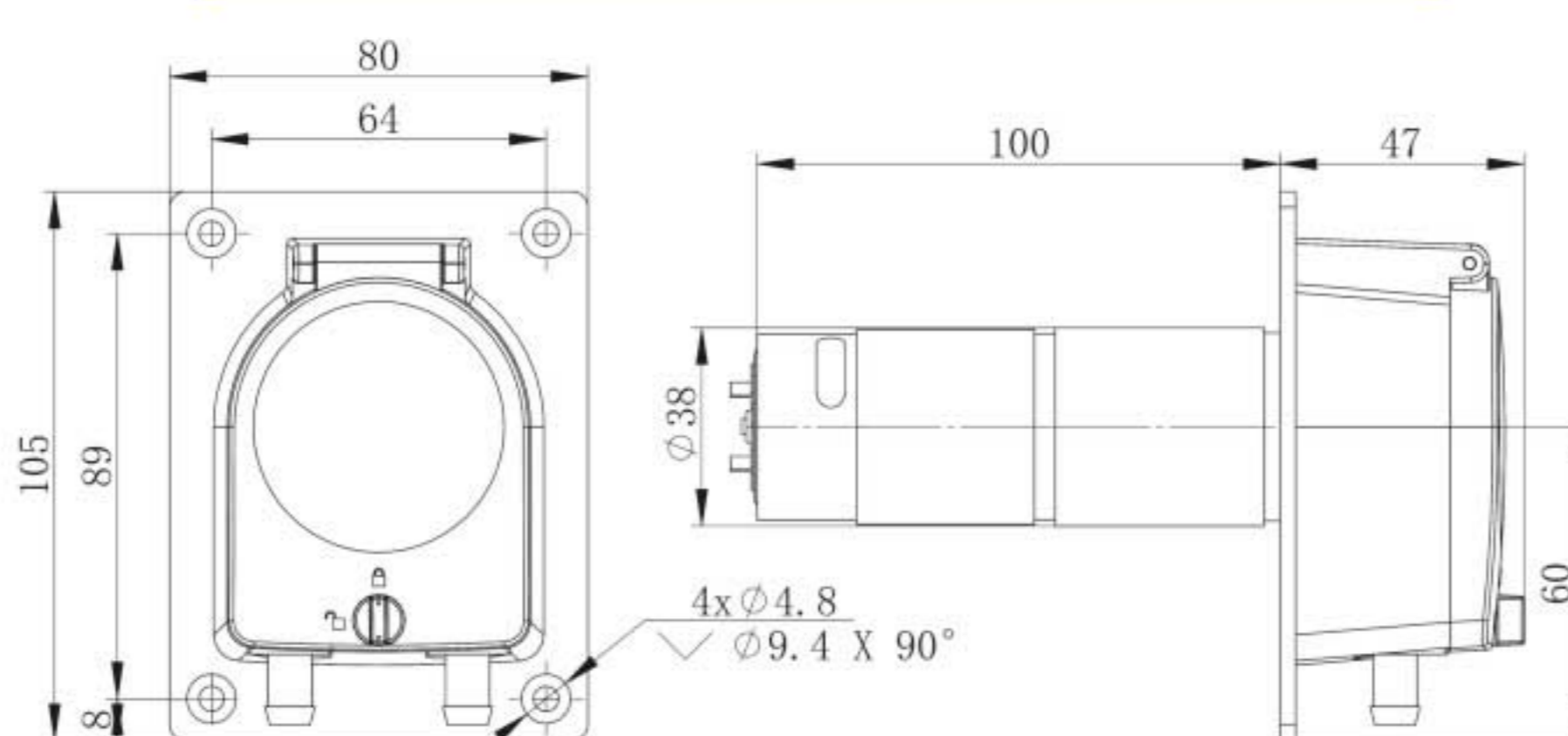


Model No.	OEM-UB04
Speed range	0.1-350 rpm
Flow rate range	0.08-930mL/min
Motor type	42 stepper motor
Speed control	Communication control
Address setting	1-32
Power supply	DC 24V, ≥48W
Communication interface	RS232, RS485 interface modbus protocol, control start/stop, direction and speed
Working environment	0-40°C, 80%RH

OEM-UXZ Series



Dimension Drawing(Unit: mm)



Model No.	Motor Type	Power Supply	Motor Speed (rpm±10%)	Flow Rate (mL/min)
OEM-UXZ03	Φ37 DC planetary gear motor	DC12V/5A	150	≤398
OEM-UXZ06			350	≤930
OEM-UXZ13	DC24V/4A		150	≤398
OEM-UXZ16			350	≤930

